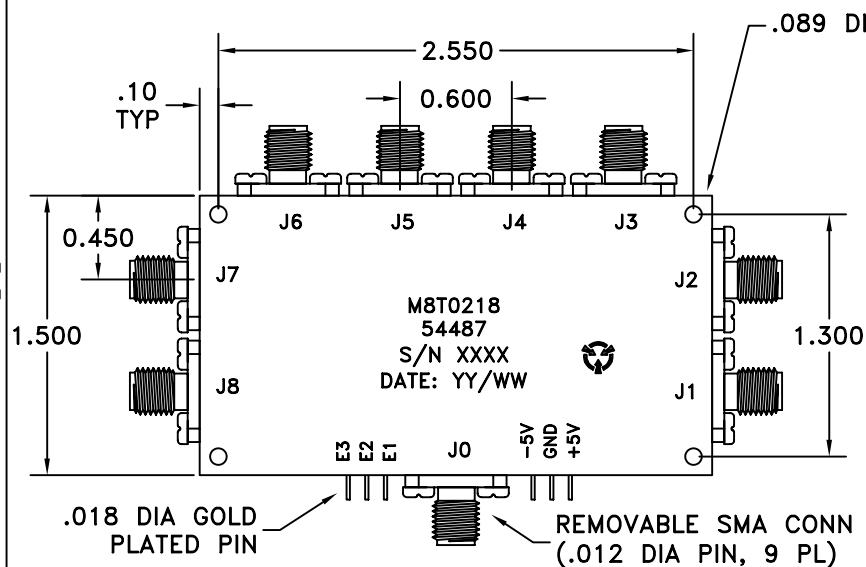


2

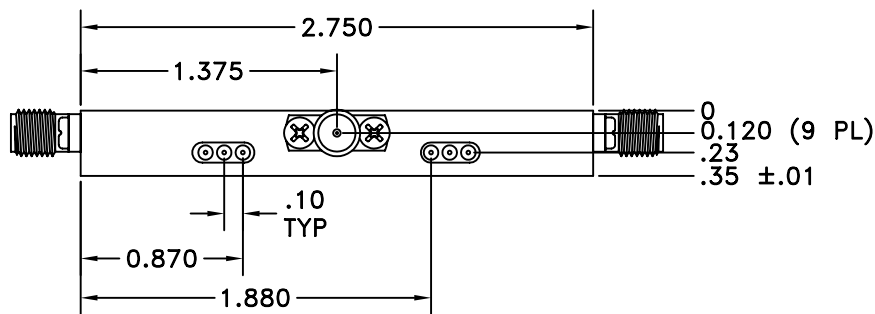
1

REVISIONS

ZONE	REV.	ECO NO.	DESCRIPTION	DATE	APPROVED		
					ENG.	OC.	MFG.
	1		ENGINEERING RELEASE				



FREQ: 2-18Ghz
 LOSS: 5dB
 ISO: 60dB
 VSWR: 2:1
 SPEED: 100nS
 RF PWR: 27dBm (cold switching)
 DC PWR: +5,-12 or -15V
 OPER. TEMP: -40 to +85°C
 STORAGE TEMP: -55 to 110°C



TRUTH TABLE

E1	E2	E3	SELECTED PATH
0	0	0	J0 - J1
0	0	1	J0 - J2
0	1	0	J0 - J3
0	1	1	J0 - J4
1	0	0	J0 - J5
1	0	1	J0 - J6
1	1	0	J0 - J7
1	1	1	J0 - J8

NOTES:

- MATERIAL: ALUMINUM 6061-T6.
 - BODY: PLATED WITH 200-300uIN SILVER PLATE PER QQ-S-365 TYPE II GRADE B.
 - COVERS: IRRIDITED, CHEMICAL FILM PER MIL-C-5541, CLEAR.
- FINISH
 - GRAY EPOXY PAINT

UNLESS OTHERWISE SPECIFIED	DRAWN BY M. ESPINOZA	DATE 08/11/08	MICRONETICS, INC. 26 HAMPSHIRE DRIVE * HUDSON, N.H. 03051 TEL.: (603) 883-2900 * FAX: (603) 882-8987		
	CHECKED BY	DATE			
	ENGINEER	DATE	TITLE <h2>SP8T SWITCH</h2>		
	THIS DRAWING CONTAINS MATERIAL PROPRIETARY TO MICRONETICS				
DIMENSIONS ARE IN INCHES TOLERANCES ON FINISH: $\sqrt{\text{R}}$ ANGLES: $\pm 1/2^\circ$ FRACTIONS: $\pm 1/64$ 4 PLACE DECIMALS: $\pm .0005$ 3 PLACE DECIMALS: $\pm .005$ 2 PLACE DECIMALS: $\pm .01$	COMMERCIAL PUBLISHED TOLERANCES SHALL APPLY TO TUBING, BAR, PLATE ETC. ALL THREADS TO BE CLASS 2A OR 2B. PLATED PARTS MUST FIT GAUGES AND MEET SPECIFIED TOLERANCES AFTER PLATING.	THIRD ANGLE PROJECTION	SIZE <h1>A</h1>	FSCM NO. <h1>54487</h1>	DWG NO. <h1>M8T0218</h1>
CAUTION UNLESS THIS DRAWING BEARS AUTHORIZED SIGNED APPROVAL(S) IT IS PRELIMINARY AND IS NOT TO BE USED FOR MANUFACTURING PURPOSES.	DO NOT SCALE DRAWING	SCALE 1 TO 1	SHEET 1 OF 1		

2

1